



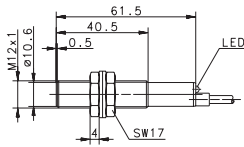
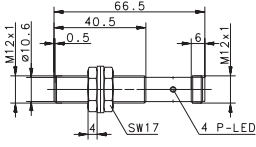
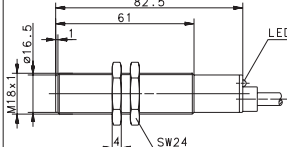
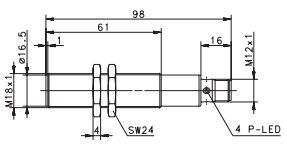


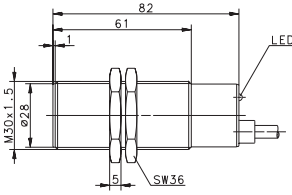
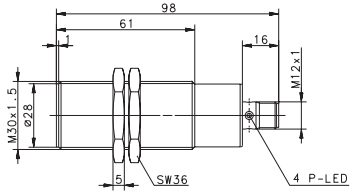


Inductive sensors

Temperature range

-40 °C to +100 °C

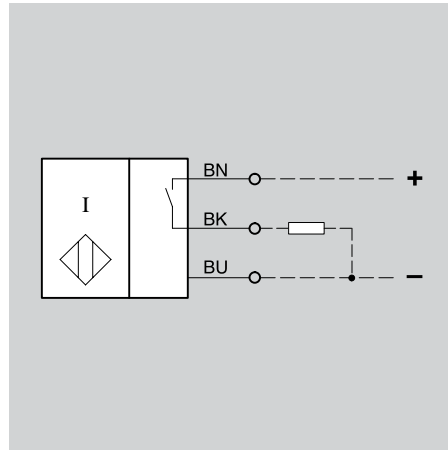
Type M12 M18	2 mm sensing distance M12		5 mm sensing distance M18	
				
PNP normally-open contact*)	flush metal design		flush metal design	
	2 m cable	M12 plug	2 m cable	M12 plug
Model description Part number	KIB-M12PS/002-KL2T 650.2903.026	KIB-M12PS/002-KLS12T 650.2943.016	KIB-M18PS/005-KL2PUT 650.2905.023	KIB-M18PS/005-KLS12T 650.2940.006
Dimensions				

Type M30	10 mm sensing distance	
		
PNP normally-open contact*)	flush metal design	
	2 m cable	M12 plug
Model description Part number	KIB-M30PS/010-KL2PUT 650.2907.013	KIB-M30PS/010-KLS12T 650.2939.006
Dimensions		

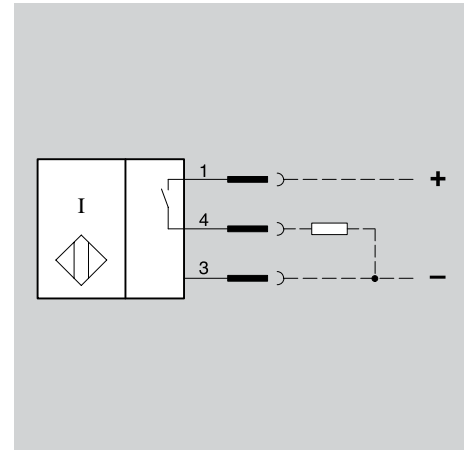
*) Order only with part number, NPN- and normally-closed version on request

Wiring diagrams

Type M12/M18/M30, cable version



Type M12/M18/M30, plug version



Accessories

Cable couplings see page 284 ff.

General data

	M12 flush	M18 flush	M30 flush
Operating voltage U_B		10–36 V	
Rated operating voltage I_B		≤ 200 mA	
Switching hysteresis H		10% from rated switching distance	
Reproducibility R		$\leq 5\%$	
Switching frequency F	800 Hz	500 Hz	300 Hz
Output	short circuit- and overload proof		
Polarity reversal protection	yes		
Rated switching distance S_n	2 mm	5 mm	10 mm
Functions-operating voltage display	●/–	●/–	●/–
Ambient temperature	– 40 °C to + 100 °C		
Protection class	IP 67 according to IEC 529, EN 60 529		
Enclosure	nickel-plated brass (CuZn39Pb3)		
Cable PVC mm^2	3 x 0.14	3 x 0.5	3 x 0.5