

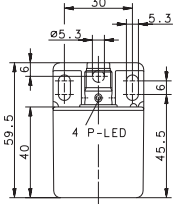
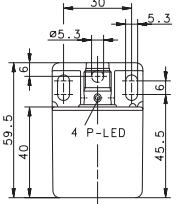

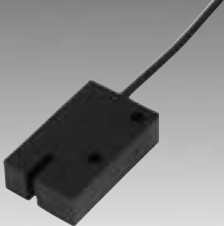
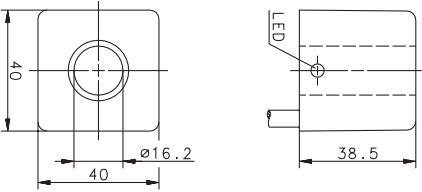
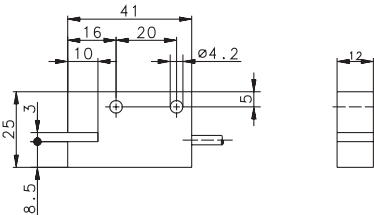


# Inductive sensors

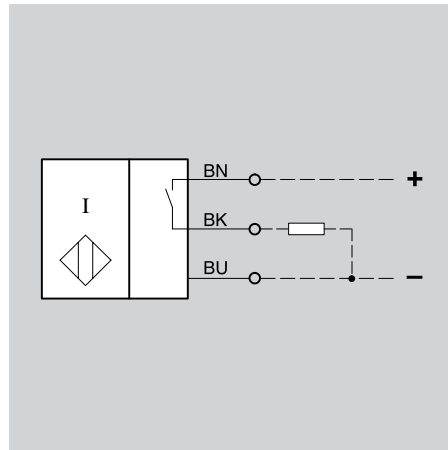
## Special-purpose design

<b>Type N40</b>	<b>15 mm sensing distance</b>		<b>20 mm sensing distance</b>	
				
	Flush design		Non-flush design	
	M12 plug/PNP NO contact	M12 plug/PNP NC contact	M12 plug/PNP NO contact	M12 plug/PNP NO contact
<b>Model description</b> <b>Part number</b>	KIB-N40PS/015-KLS12 <b>650.2988.001</b>	KIB-N40PÖ/015-KLS12 <b>650.2788.001</b>	KIN-N40PS/020-KLS12 <b>650.2982.003</b>	KIN-N40PÖ/020-KLS12 <b>650.2782.001</b>
<b>Dimensions</b>				

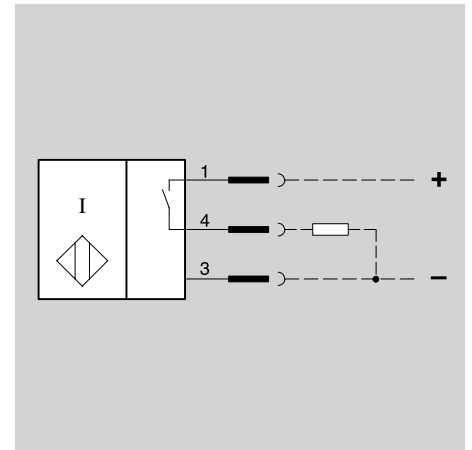
<b>Type N40</b> – Ring sensor  <b>Type S03</b> – Slot sensor	<b>Ring sensor Ø 16 mm</b>		<b>Slot sensor 3 mm slot width</b>	
				
	6 m cable		2 m cable	
	PNP-NO contact	NPN-NO contact	PNP-NO contact	NPN-NO contact
<b>Model description</b> <b>Part number</b>	KIR-N40PS/000-KL6 <b>650.2999.036</b>	KIR-N40NS/000-KL6 <b>660.2399.375</b>	KIN-S03PS/003K2 <b>650.2999.035</b>	–
<b>Dimensions</b>				

## Wiring diagrams

Type N40, cable version  
Type SO3, slot sensor



Type N40, plug version



## Accessories

Cable couplings see page 284 ff.

## General data

	N40 flush	N40 non-flush	N40 Ring sensor	N40 Slot sensor
Operating voltage	10–36 V		10–30 V	
Rated operating voltage	≤ 200 mA			
Switching hysteresis	10% from rated switching distance		–	
Reproducibility	≤ 5%			
Switching frequency	100 Hz	50 Hz	4000 Hz	
Output	continuous short-circuit- and overload proof			
Polarity reversal protection	yes			
Rated switching distance	15 mm	20 mm	Immersion approx. 20 mm	Immersion approx. 7 mm
Functions-/operating voltage display	●/–	●/–	●/–	–/–
Ambient temperature	– 25 °C to + 70 °C			
Protection class	IP 67 according to IEC 529, EN 60 529			
Enclosure	PA6		PA6	
Connection	S12 plug		cable 3 x 0.5 mm <sup>2</sup>	cable 3 x 0.14 mm <sup>2</sup>