

STAND-ALONE safety switch without safety module

# MASSIMOTTO X5.2 M12 AR

## CODED NON-CONTACT ELECTRO-MECHANICAL SAFETY SWITCH TO CONTROL MACHINE GUARDS

- Automatic build-in self-checking
- With input for manual reset
- With double M12 connectors
- Switching distance/hysteresis : 8 mm/3 mm
- LED indication of actuator presence
- Polycarbonate housing
- Power supply : 24 V ac/dc -15% /+10% 50 /60 Hz
- Waterproof IP67/Temperature -20°C to +60°C
- Auxiliary output : NC PNP/250 mA

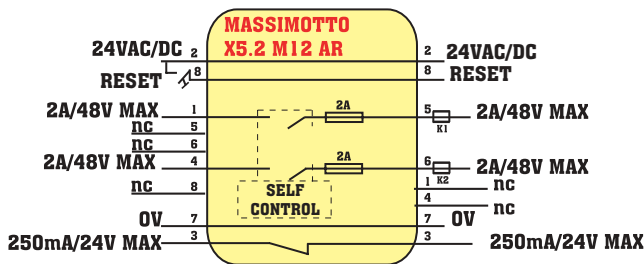
### SAFETY CATEGORY

MASSIMOTTO X5.2 M12 SR : category 3 according to EN954-1/ EN 12100-2

MASSIMOTTO X5.2 M12 SR : category 4\* with safety module

\*Regardless of number of switches in series

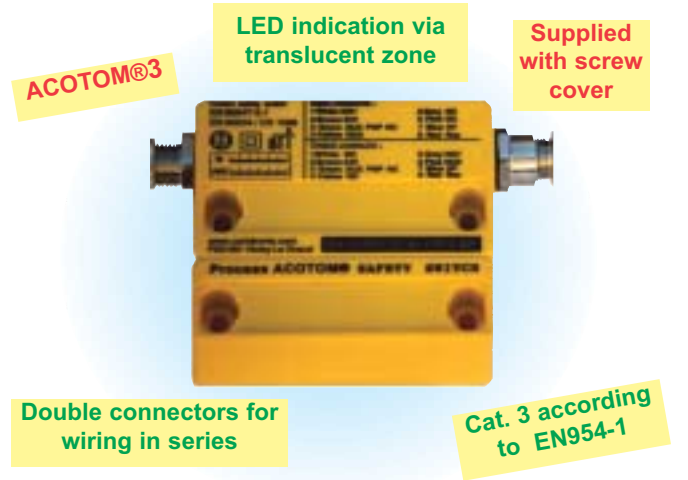
### DIAGRAM



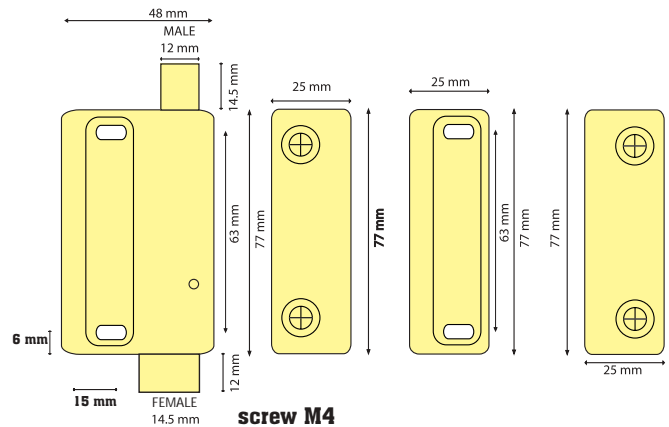
cat.3

### APPLICATION

Controls machine guards without safety module. Manual reset function is built-in. Enables a quick and easy wiring in series.

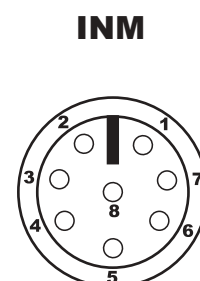


### DIMENSIONS



### PIN DETAILS OF CONNECTOR

Male input connector:  
 1 white NO1  
 2 brown 24V  
 3 green AUX NC  
 4 yellow NO2  
 5 grey nc  
 6 pink nc  
 7 blue 0V  
 8 red RESET  
 (nc: not connected)



Female output connector:  
 1 white nc  
 2 brown 24V  
 3 green AUX NC  
 4 yellow nc  
 5 grey NO1  
 6 pink NO2  
 7 blue 0V  
 8 red RESET  
 (nc: not connected)

**STAND-ALONE safety switch without safety module**

# MASSIMOTTO X5.2 M12 SR

## CODED NON-CONTACT ELECTRO-MECHANICAL SAFETY SWITCH TO CONTROL MACHINE GUARDS

- Automatic built-in self-checking
- Without manual reset
- With double M12 connectors
- Switching distance/hysteresis : 8 mm/3 mm
- LED indication of actuator presence
- Polycarbonate housing
- Power supply : 24 V ac/dc -15% /+10% 50 /60 Hz
- Waterproof IP67/Temperature -20°C to +60°C
- Auxiliary output : NC PNP/250 mA
- Response time : 10 ms

### SAFETY CATEGORY

**MASSIMOTTO X5.2 M12 SR : category 3 according to EN954-1/ EN 12100-2**

**MASSIMOTTO X5.2 M12 SR : category 4\* with safety module**

\*Regardless of number of switches in series.

LED incorporated and viewed via a translucent zone

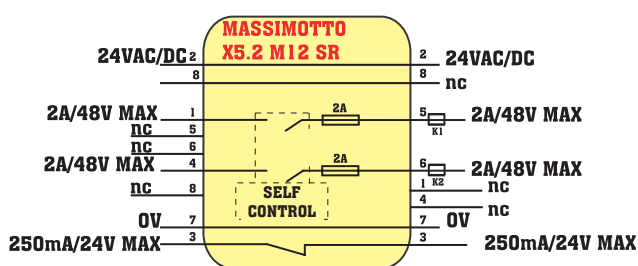
Supplied with screw cover



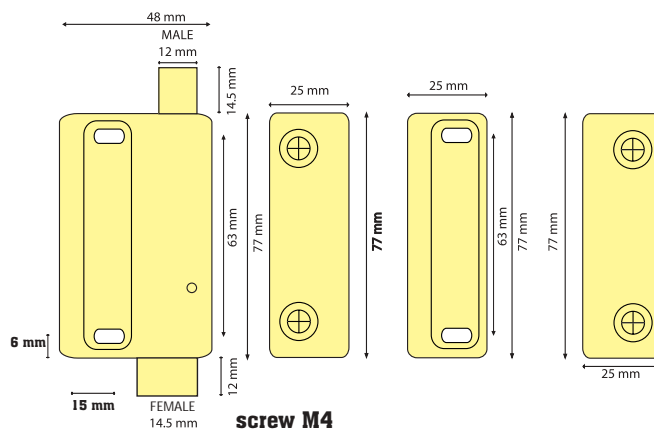
Double connectors for wiring in series

Cat. 3 according to EN954-1

### WIRING DIAGRAM



### DIMENSIONS



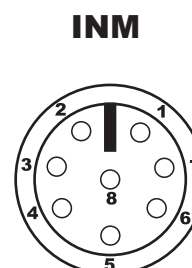
cat.3

### APPLICATION

Controls machine guards without any safety module. Enables a quick and easy wiring in series.

### PIN DETAILS

Male input connector :  
1 white NO1  
2 brown 24V  
3 green AUX NC  
4 yellow NO2  
5 grey nc  
6 pink nc  
7 blue 0V  
8 red nc  
(nc: not connected)



Female output connector:  
1 white nc  
2 brown 24V  
3 green AUX NC  
4 yellow nc  
5 grey NO1  
6 pink NO2  
7 blue 0V  
8 red nc  
(nc: not connected)

# MASSIMOTTO ANA78S.2 M12

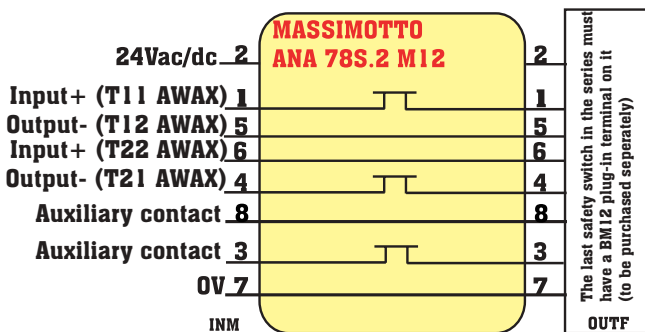
## CODED NON-CONTACT SAFETY SWITCH FOR THE CONTROL OF MACHINE GUARDS

- Acotom®2 decoding process
- Power supply: 24Vac/dc -15%/+10% or T11/T21 of AWAX
- Switching distance/hysteresis : 8 /3 mm
- Safety contacts: 2 NO 24Vdc/500mA
- Auxiliary contact: 1 PNP NC 24Vac/dc /250mA
- Protection class IP67
- Temperature -20°C / +60°C
- Response time: 500µs

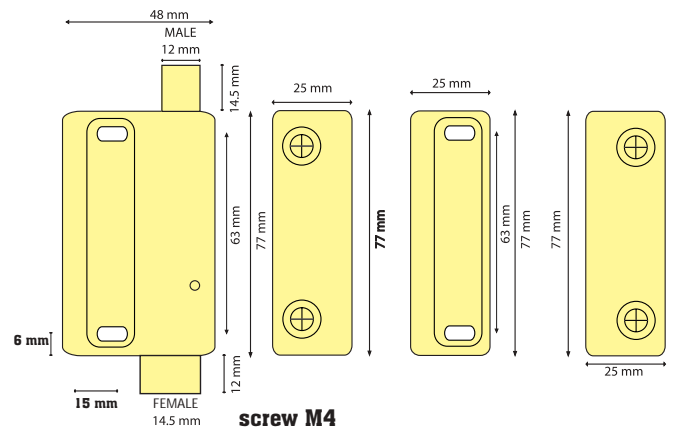
### SAFETY CATEGORY

MASSIMOTTO ANA78S.2 M12 : EN60947-5-3  
 MASSIMOTTO ANA78S.2 M12 sur Awax : cat. 4  
 MASSIMOTTO ANA78S.2 M12 in series with Awax : cat.3

### WIRING DIAGRAM



### DIMENSIONS

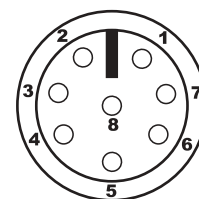


### PIN DETAILS

Male input connector:

- 1 white T11
- 2 brown 24V
- 3 green AUX
- 4 yellow T21
- 5 grey T12
- 6 pink T22
- 7 blue 0V
- 8 red AUX

INM



Female output connector :

- 1 white OUT+
- 2 brown 24V
- 3 green AUX+
- 4 yellow OUT-
- 5 grey link+
- 6 pink link-
- 7 blue 0V
- 8 red link AUX

### ADVICE

An ideal and economical solution for wiring in series on machine with more than 4 doors

# MASSIMOTTO ANA98S.2 M12

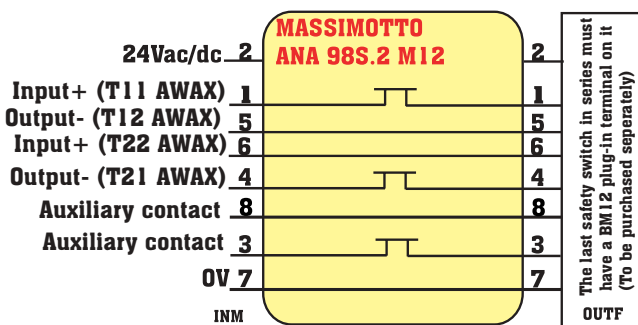
## CODED NON-CONTACT SAFETY SWITCH FOR THE CONTROL OF MACHINE GUARDS

- Acotom®2 decoding process
- Power supply: 24Vac/dc -15%/+10% or T11/T21 of AWAX
- Switching distance/hysteresis : 8 /3 mm
- Safety contacts: 2 NO 24Vdc/500mA
- Auxiliary contact: 1 PNP NO 24Vac/dc /250mA
- Protection class IP67
- Temperature -20°C / +60°C
- Response time: 500µs

### SAFETY CATEGORY

- MASSIMOTTO ANA98S.2 M12 : EN60947-5-3
- MASSIMOTTO ANA98S.2 M12 with Awax : category 4
- MASSIMOTTO ANA98S.2 M12 in series with Awax : category 3

### WIRING DIAGRAM



ACOTOM2

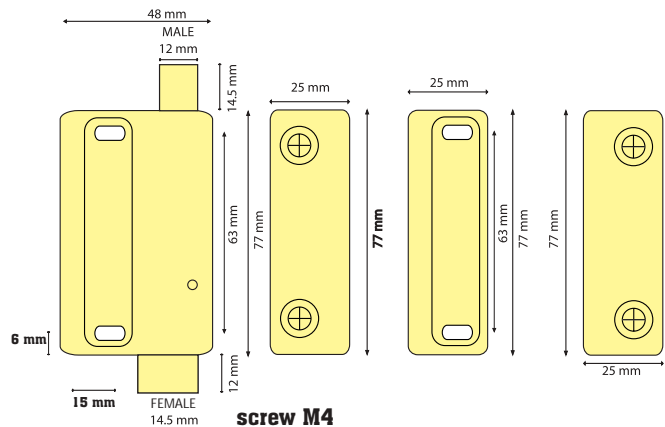
UL/CSA approval



LED viewed via translucent zone

Supplied with screws cover  
NFENISO 12100-2:2003

### DIMENSIONS

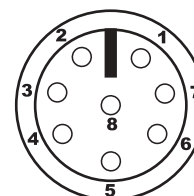


### PIN DETAILS

Male input connector:

- 1 white T11
- 2 brown 24V
- 3 green AUX
- 4 yellow T21
- 5 grey T12
- 6 pink T22
- 7 blue 0V
- 8 red AUX

INM



Female output connector :

- 1 white OUT+
- 2 brown 24V
- 3 green AUX+
- 4 yellow OUT-
- 5 grey link+
- 6 pink link-
- 7 blue 0V
- 8 red link AUX

### ADVICE

An ideal and economical solution for wiring in series on machines with more than 4 doors

# APPLICATION FOR MASSIMOTTO WITH DOUBLE CONNECTORS

